



842-G REACH



- 8,000 LBS CAPACITY
- 42 FOOT LIFT HEIGHT
- 360 DEGREE OPERATOR VISIBILITY
- ADVANCED LOAD SENSE HYDRAULIC SYSTEM
- ROPS, FOPS ERGONOMIC OPERATORS MODULE
- LOW PROFILE DESIGN
- HIGH STRENGTH BOOM ASSEMBLY
- WELDED BOX FRAME STRUCTURE
- STABLE, RESPONSIVE, PERFORMANCE
- NORTH AMERICAN MANUFACTURED

LOAD LIFTER FEATURES DO WORK FOR YOU

CAPACITY

3629Kg (8000 lbs)

ENGINE

Make Perkins 1104D-44T Turbo Diesel
 Displacement 4.40 Litres (268 cu. in.)
 Gross H.P. 73.82 KW. (99 H.P.)
 Maximum Torque (283 ft. lbs.)
 Rated Speed 2300 r.p.m.

TRANSMISSION

Type Dana T12,000 Series
 Speeds 1st - 3.7mph (5.9km/h)
 2nd - 7.1 mph (11.4 km/h)
 3rd - 18 mph (29.0 km/h)

AXLES

Dana Outboard Planetary Drive System

DRIVE SYSTEM

Full Time 4 Wheel Drive

STEERING

2 Wheel, 4 Wheel & Crab

BRAKES

Full Power Oil Immersed Disc Brakes

TIRES

13.00-24 12 ply
 Lug Tread Tubeless

HYDRAULIC SYSTEM

Pump Load Sense System
 Pump Flow Variable Displacement Piston Pump
 Steering Full Load Sense System
 Filtration 10 Micron Filter

ELECTRICAL SYSTEM

12 Volt Negative Ground
 65 Amp Alternator
 600 cca Battery

FLUID CAPACITIES

Cooling System 11.5 Liters (12.2 Qts.)
 Engine Oil 6.8 Liters (7.2 Qts.)
 Fuel Tank 134 Liters (35 Gal)
 Hydraulic Tank 169 Liters (44 Gal)
 Transmission 12.9 Liters (3.4 Gal)
 Axle Individual Hub 1.4 Liters (0.37 Gal)
 Center Housing Front 6.7 Liters (1.75 Gal)
 Center Housing Rear 7.7 Liters (2.0 Gal)

DIMENSIONS

Overall Length (Less Forks) 554 cm (218 in.)
 Overall Width 258 cm (101.5 in)
 Wheelbase 317.5 cm (125 in)
 Height (top of canopy) 226 cm (89 in)
 Ground Clearance 40 cm (15.75 in)
 Outside Turning Radius 419cm (165 in)

FRAME

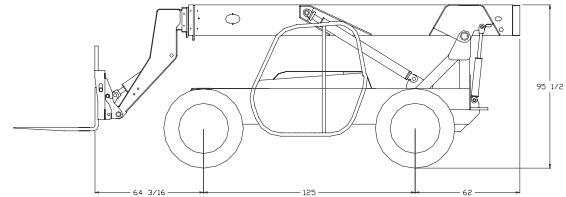
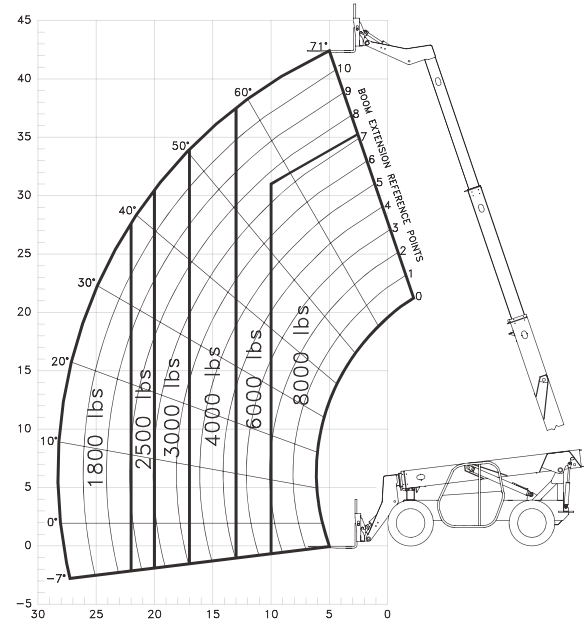
Hydraulic Load Leveler Frame Boom High Tensile Steel Box Frame Structure
 22° Frame Leveling
 Welded Box Construction, High Strength, Low Alloy Steel
 3 Section Slider
 Type Nylatron wear pads
 Load Bearing Material
 Max. reach (Boom Level) 8.6m (28'2") face of tires to load center
 Reach (ground level) 8.5m (27'11")face of tires to load center
 Boom extend speed 15.8s
 Boom retract speed 11s
 Boom raise 7.5s
 Boom Lower 86cm (2'10")
 Max reach below grade

CARRIAGE

121.9cm (48") SHAFT
 Tilt Forward 22°
 Tilt Back 8°
 Forks 5.1cm x 12.7cm x 121.9cm (2"x 5"x 48")
 Automatic Self Leveling Manual Override

SHIPPING WEIGHT

10,660kg (23,500 lbs)



STANDARD EQUIPMENT

- Safety Start
- L.E.D. INSTRUMENT DISPLAY (Hour Meter, Fuel Level, Coolant Temp, Alt, Pre Heater, Oil Pressure Gauge, Low Oil Press Warning, Trans Temp, Work Light Indicator, Park Brake, Work Light Switch)
- Backup alarm
- Block Heater, 110V
- Single 600 cca battery
- Antifreeze -40°C
- Operating lights
- Tool box
- 1300-24 12 ply tubeless tires
- Chain tie downs
- Frame level indicator
- Parking brake
- Adjustable suspension seat
- Seat belt
- Right side mirror
- Overhead canopy
- Reach "Pro-Attach" system
- 48" Masonry carriage

OPTIONAL EQUIPMENT

- All steel cab c/w Front and rear wipers, heater and RHS slider window
- Truss jib
- Utility bucket
- Concrete hopper
- Snow blade
- Side tilting carriage
- Fenders
- Compressor c/w aux outlet
- Various width Carriages
- Defrost fan
- Vandalism protection
- Transmission disconnect
- Air ride seat
- Turn signals
- Matched set padlocks
- Dual 600 cca batteries
- 15.5 x 25 12 Ply Tires
- 440/80R/24 IT520 Tires

This information contained herein is general in nature and not intended for specific application purpose. Load Lifter reserves the right to make changes in specifications, make improvements, or discontinue manufacture at any time without notice or obligation.



LOAD LIFTER MANUFACTURING LTD.

3 Anderson Blvd., Stouffville, Ontario, Canada, L4A 7X4

Tel. 905-642-9756, Fax. 905-640-1437, www.load-liftermfg.com, info@load-liftermfg.com